

# Model G8T-132 Rotary Gear Pump

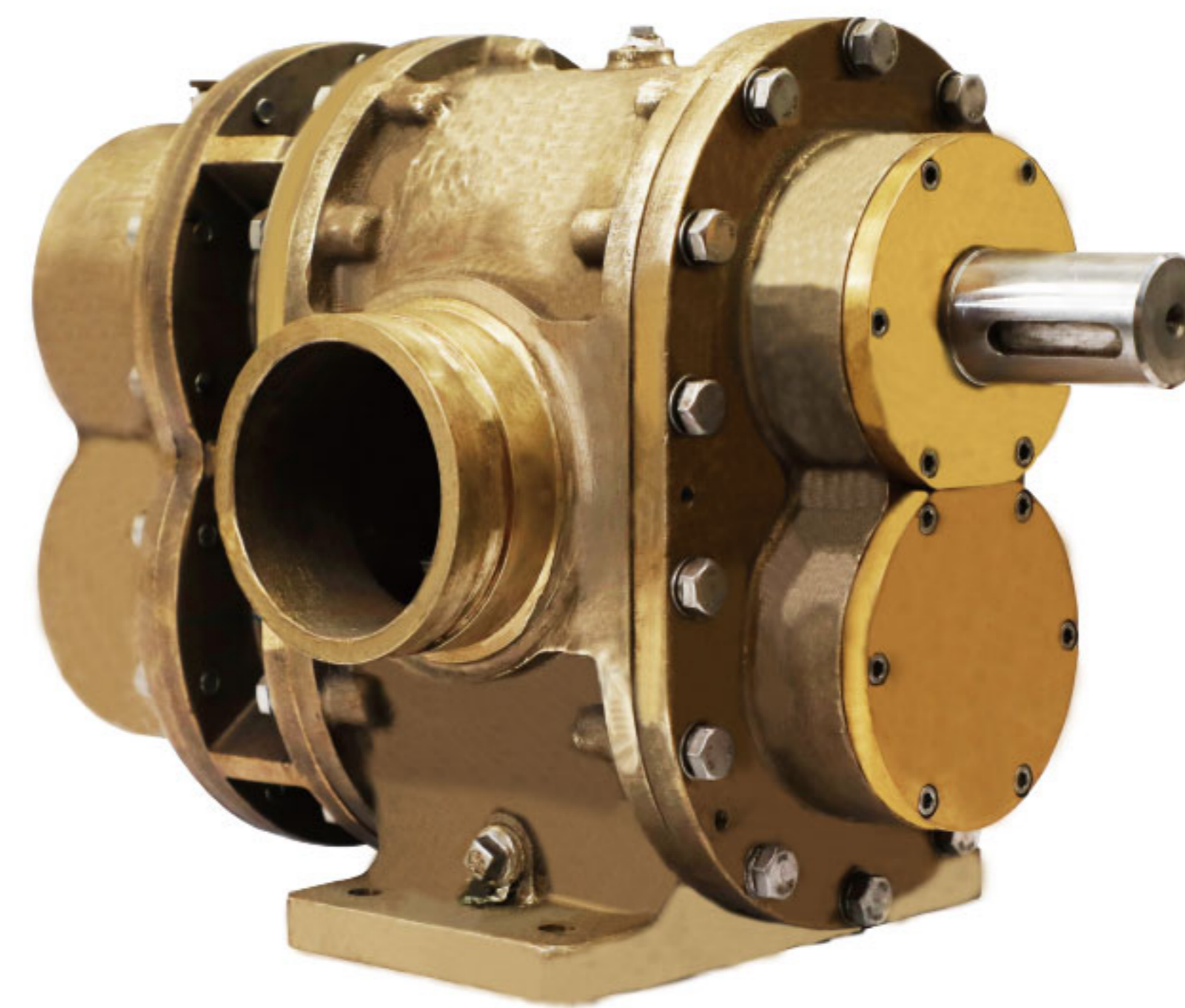
Surex rotary gear pumps designed for foam extinguishing system. They are Self-Priming and can pump Multiple Viscosities of Foam or Water. This versatile design is suitable for Electric, PTO, Diesel/Gasoline Engine, Water Driven or Hydraulic drive motors.

### Design Features:

- Timing Gears Synchronize the Two Pumping Rotors.
- Timing Gears Allow for DRY Running Without Damage.
- No Rotor Contact Allows for Pumping Foam or Water.
- Water Can Be Used for: Calibration, Testing and Training.

### Technical Data:

Max Pressure: 2.0MPa | 20bar  
Max Speed: 1800RPM  
Viscosity : 9500cp max.[1]  
Connection Diameter: DN100(114.3 O.D.)、4"  
Connection Type: Groove、Thread、Flange  
Approvals: FM  
[1]Brookfield viscometer, spindle #4, speed 30rpm.



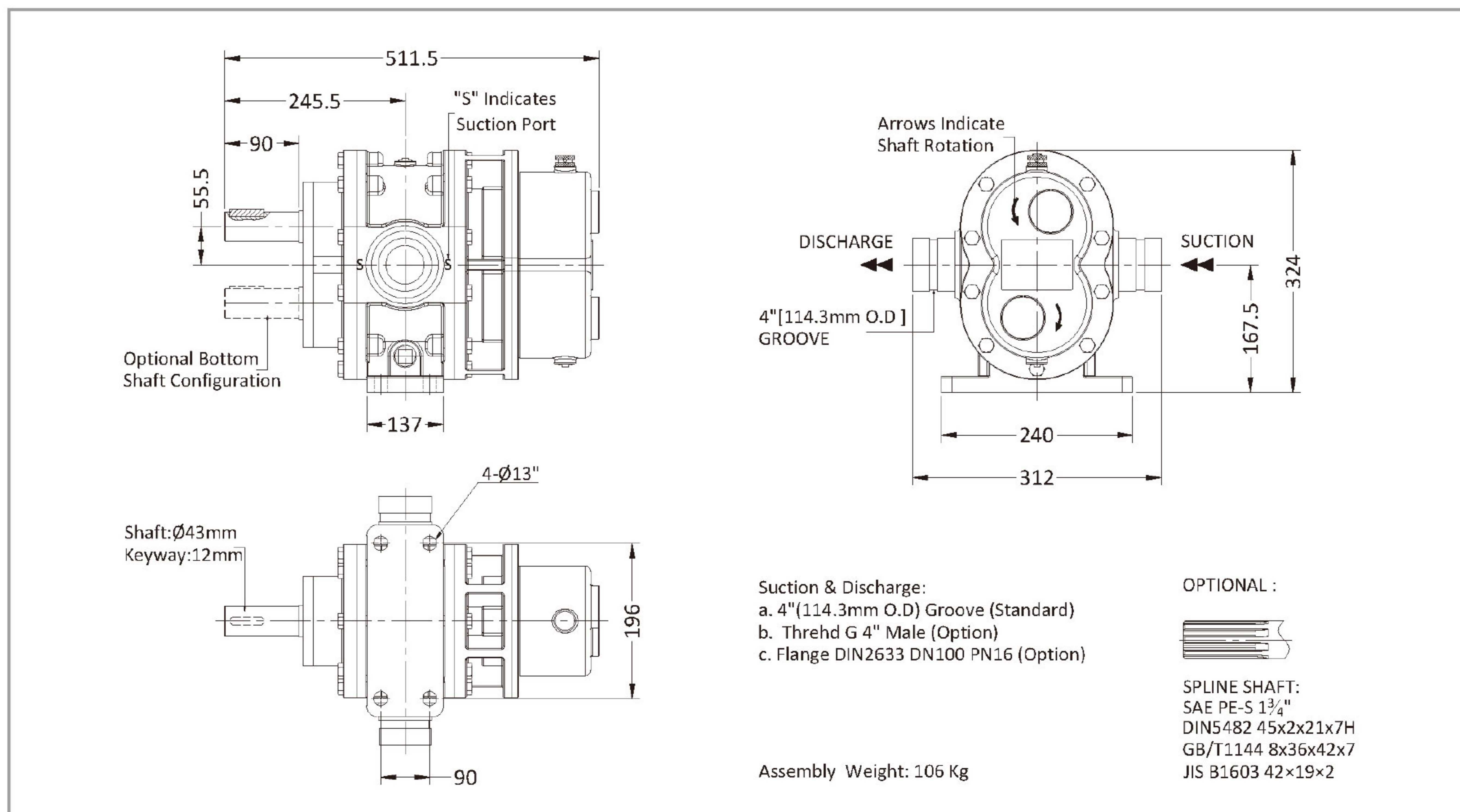
### Materials:

Pump body: Red Brass, ASTM B584 C83600  
Rotor: Stainless Steel 17-4PH  
Red Brass, ASTM B584 C83600  
Liners: Red Brass, ASTM B584 C83600  
Front Cover: Red Brass, ASTM B584 C83600  
Back Cover: Red Brass ASTM B584 C83600  
Timing Gear: Alloy Steel 20CrMnTi (ASTM A29M)  
Lip Seal : FPM

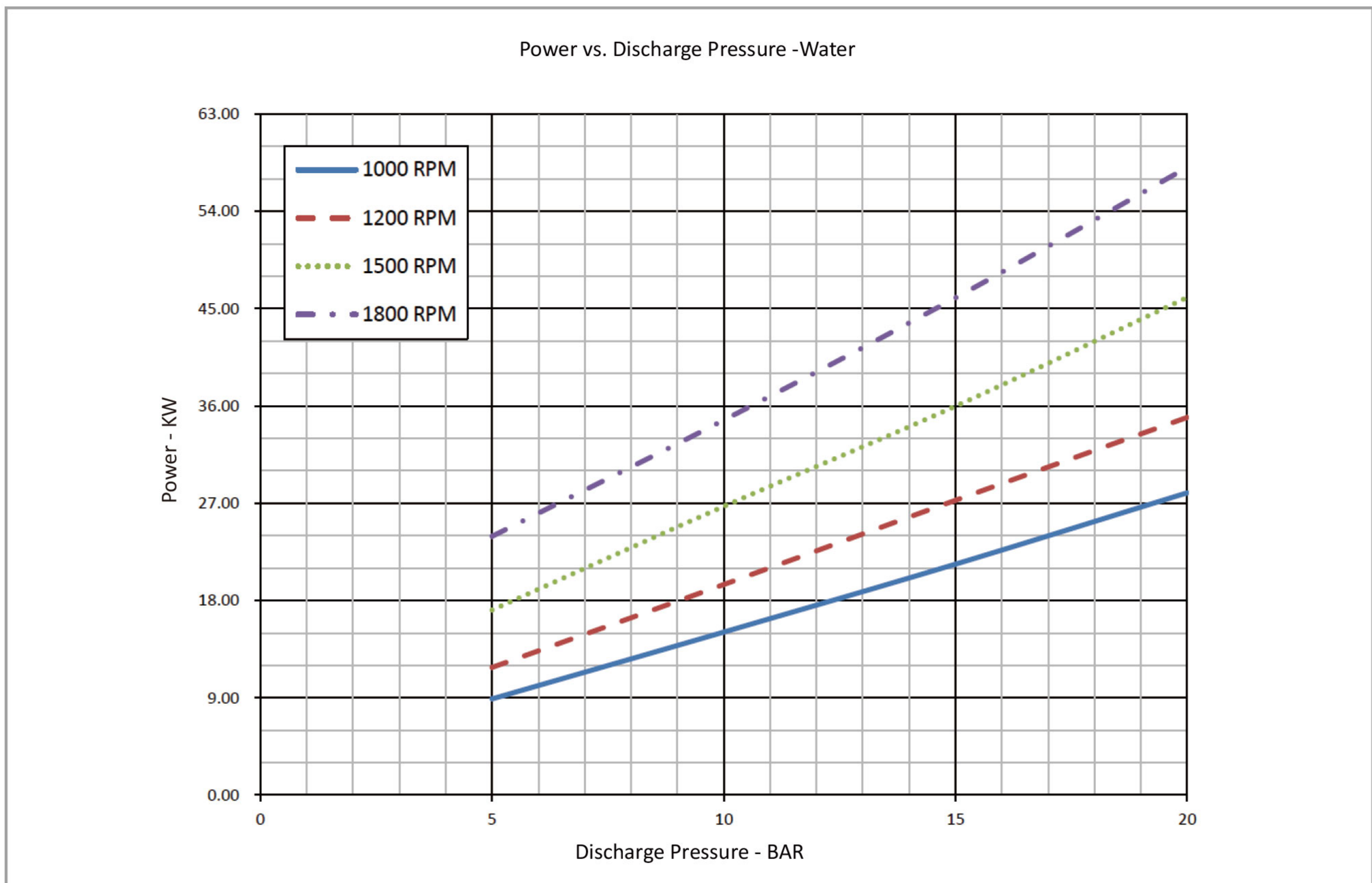
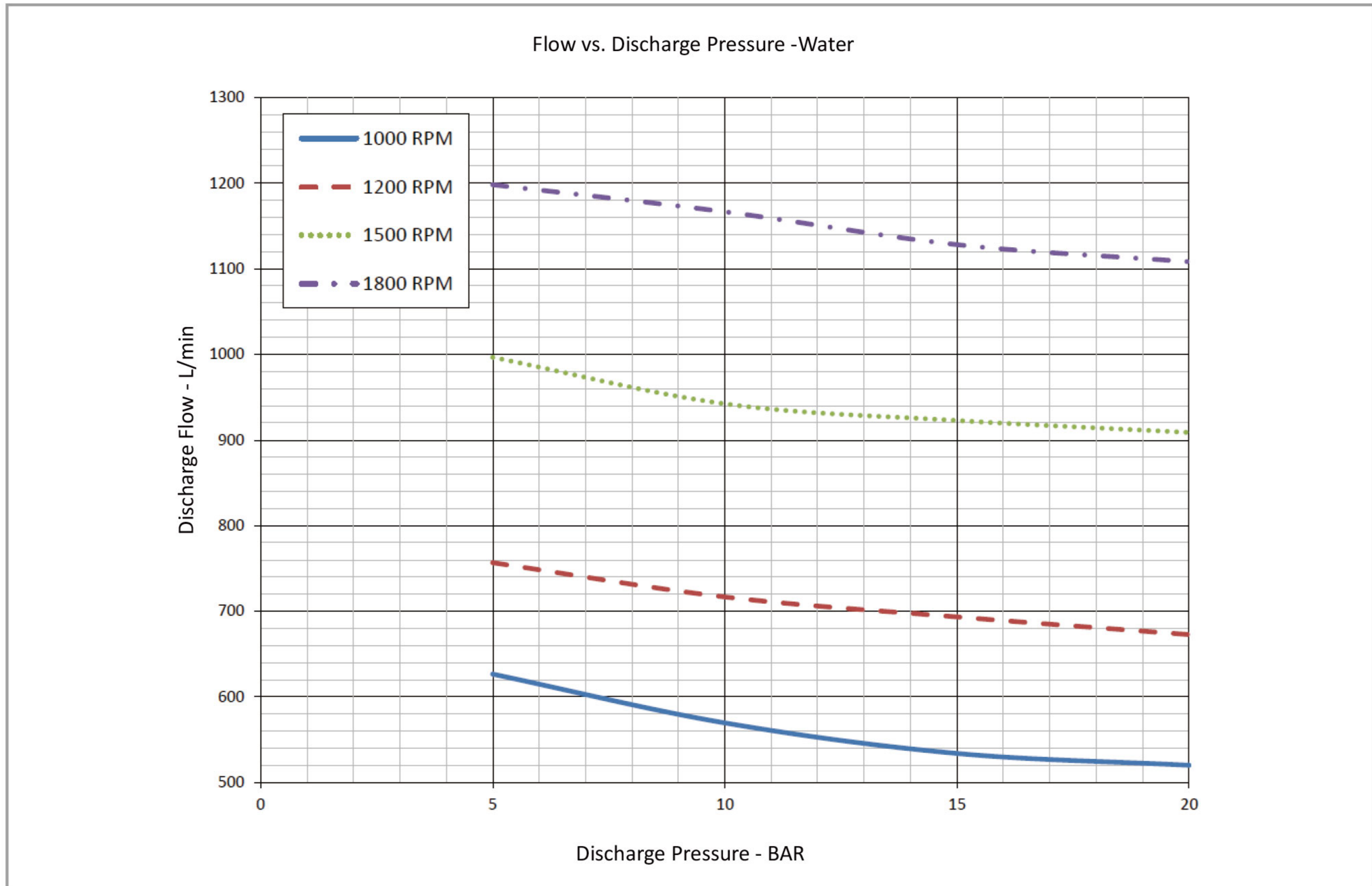
### Performance -Water

Foam Pump	1000rpm			1200rpm			1500rpm			1800rpm			
	Pressure	Flow	Power	Torque	Flow	Power	Torque	Flow	Power	Torque	Flow	Power	Torque
	bar	L/min	kw	N.m	L/min	kw	N.m	L/min	kw	N.m	L/min	kw	N.m
	5.0	627	9	85	757	12	94	997	17	109	1198	24	127
	6.9	602	11	107	740	15	117	973	21	131	1186	28	106
	10.3	566	15	148	717	20	159	944	27	173	1160	35	134
	13.8	540	20	190	698	25	202	925	34	215	1138	43	162
	17.2	525	24	232	683	31	244	913	40	258	1119	51	191
	20.0	520	28	267	673	35	278	909	46	293	1108	58	308

### Dimensions



# Model G8T-132 Rotary Gear Pump



• The pump performance for foam concentrate, please contact Surex, or down load from [www.surexfoam.com](http://www.surexfoam.com).